



Compressor Selection: Semi-hermetic Reciprocating Compressors

Input Values

Compressor model Mode	(4DC-5.2Y) Refrigeration and Air conditioning	Suction gas temperature Operating mode	20,00 °C Auto
Refrigerant Reference temperature Liq. subc. (in condenser)	R404A Dew point temp. 0 K	Power supply Capacity Control Useful superheat	400V-3-50Hz 100% 100%

Result

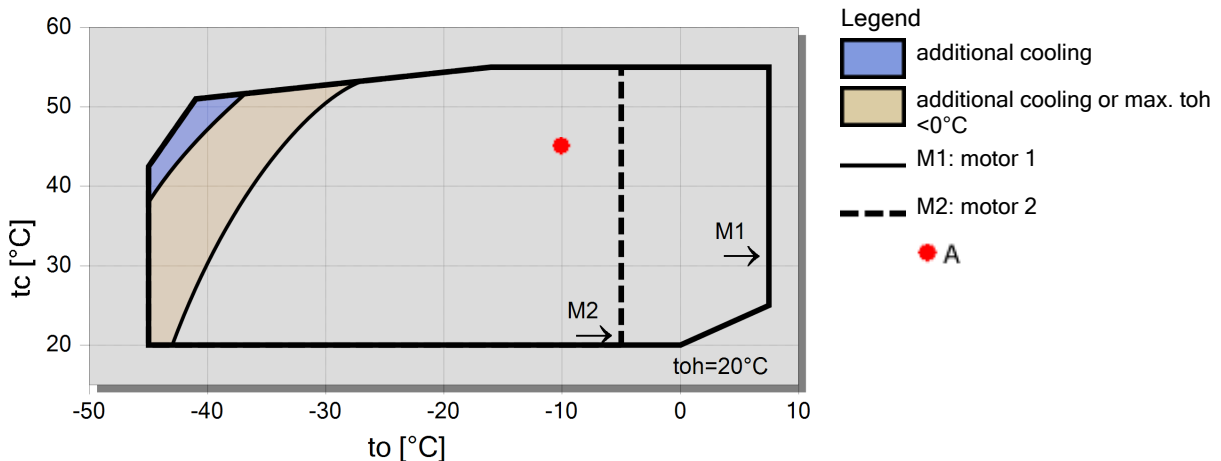
Q [W]	Cooling capacity	COP [-]	COP/EER
Q* [W]	Cooling capacity *	COP* [-]	COP/EER *
P [kW]	Power input	m [kg/h]	Mass flow
I [A]	Current	Op.	Operating mode
Qc [W]	Condenser Capacity	th [°C]	Discharge gas temp. w/o cooling

tc	to	-5°C	-10°C	-15°C	-20°C	-25°C	-30°C	-35°C	-40°C
30°C	Q [W]	21119	17422	14223	11466	9100	7081	5369	3930
	Q* [W]	21119	17422	14223	11466	9100	7081	5369	3930
	P [kW]	5,52	5,29	4,99	4,62	4,18	3,70	3,19	2,66
	I [A]	9,64	9,32	8,89	8,37	7,78	7,17	6,56	5,99
	Qc [W]	26635	22717	19214	16081	13282	10784	8560	6586
	COP [-]	3,83	3,29	2,85	2,48	2,18	1,91	1,68	1,48
	COP* [-]	3,83	3,29	2,85	2,48	2,18	1,91	1,68	1,48
	m [kg/h]	531	433	351	281	222	171,5	129,5	94,5
	Op.	Standard	Standard	Standard	Standard	Standard	Standard	Standard	Standard
	th [°C]	69,9	77,2	85,0	93,2	102,1	111,8	122,3	134,2
40°C	Q [W]	17654	14523	11807	9460	7441	5715	4250	3014
	Q* [W]	17654	14523	11807	9460	7441	5715	4250	3014
	P [kW]	6,34	5,95	5,50	4,99	4,43	3,83	3,22	2,60
	I [A]	10,84	10,28	9,61	8,88	8,11	7,33	6,60	5,93
	Qc [W]	23992	20478	17307	14446	11868	9549	7470	5612
	COP [-]	2,79	2,44	2,15	1,90	1,68	1,49	1,32	1,16
	COP* [-]	2,79	2,44	2,15	1,90	1,68	1,49	1,32	1,16
	m [kg/h]	500	407	327	260	203	155,3	115,0	81,2
	Op.	Standard	Standard	Standard	Standard	Standard	Standard	Standard	Standard
	th [°C]	81,8	89,2	97,2	105,7	114,8	124,8	136,0	0
50°C	Q [W]	14301	11733	9494	7553	5879	4444	3222	2188
	Q* [W]	14301	11733	9494	7553	5879	4444	3222	2188
	P [kW]	7,07	6,53	5,93	5,29	4,62	3,92	3,22	2,52
	I [A]	11,92	11,12	10,24	9,32	8,37	7,45	6,59	5,86
	Qc [W]	21367	18261	15428	12846	10497	8366	6441	4709
	COP [-]	2,02	1,80	1,60	1,43	1,27	1,13	1,00	0,87
	COP* [-]	2,02	1,80	1,60	1,43	1,27	1,13	1,00	0,87
	m [kg/h]	469	380	304	240	185,2	139,0	100,3	67,8
	Op.	Standard	Standard	Standard	Standard	Standard	Standard	Standard	Standard
	th [°C]	94,1	101,7	109,9	118,7	128,4	139,2	0	0

-- No calculation possible (see message in single point selection)

*According to EN12900 (20°C suction gas temp., 0K liquid subcooling)

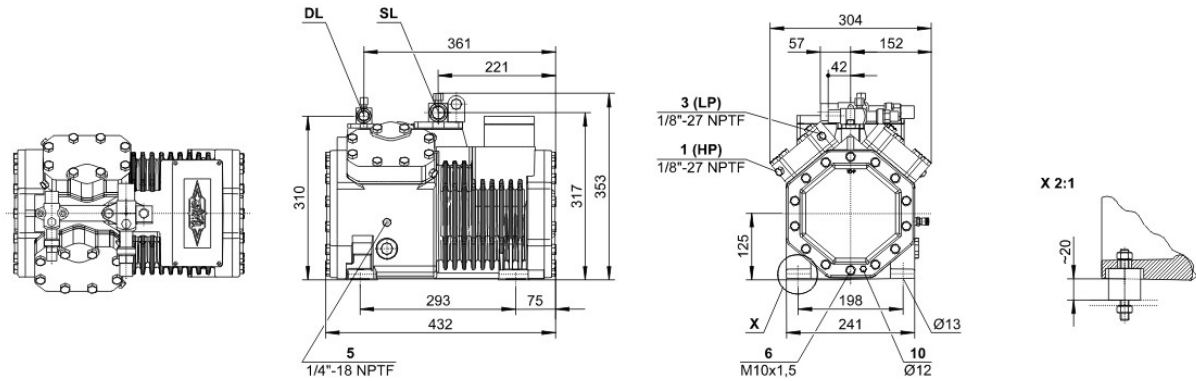
Application Limits 100% Octagon





Technical Data: (4DC-5.2Y)

Dimensions and Connections



Technical Data

Technical Data

Displacement (1450 RPM 50Hz)	26,84 m ³ /h
Displacement (1750 RPM 60Hz)	32,39 m ³ /h
No. of cylinder x bore x stroke	4 x 50 mm x 39,3 mm
Weight	85,5 kg
Max. pressure (LP/HP)	19 / 28 bar
Connection suction line	28 mm - 1 1/8"
Connection discharge line	22 mm - 7/8"
Oil type R134a/R407C/R404A/R507A/R407A/R407F	tc<55°C: BSE32 / tc>55°C: BSE55 (Option)
Oil type R22 (R12/R502)	B5.2 (Standard)
Oil type R290/R1270	SHC226E (Standard)

Motor data

Motor voltage (more on request)	380-420V Y-3-50Hz
Max operating current	13.5 A
Starting current (Rotor locked)	62.2 A
Max. Power input	8,0 kW

Extent of delivery (Standard)

Motor protection	SE-B1
Enclosure class	IP65
Vibration dampers	Standard
Oil charge	2,00 dm ³

Available Options

Discharge gas temperature sensor	Option
Start unloading	Option
Capacity control	100-50% (Option)
Additional fan	Option
Crankcase heater	0..120 W PTC (Option)
Oil level monitoring	OLC-K1 (Option, not for R290/R1270)

Sound measurement

Sound power level (-10°C / 45°C)	72,0 dB(A) @ 50Hz
Sound power level (-35°C / 40°C)	74,0 dB(A) @ 50Hz
Sound pressure level @ 1m (-10°C / 45°C)	64,0 dB(A) @ 50Hz
Sound pressure level @ 1m (-35°C / 40°C)	66,0 dB(A) @ 50Hz



Compressor Selection: Semi-hermetic Reciprocating Compressors

Input Values

Compressor model	(4CC-6.2Y)	Suction gas temperature	20,00 °C
Mode	Refrigeration and Air conditioning	Operating mode	Auto
Refrigerant	R404A	Power supply	400V-3-50Hz
Reference temperature	Dew point temp.	Capacity Control	100%
Liq. subc. (in condenser)	0 K	Useful superheat	100%

Result

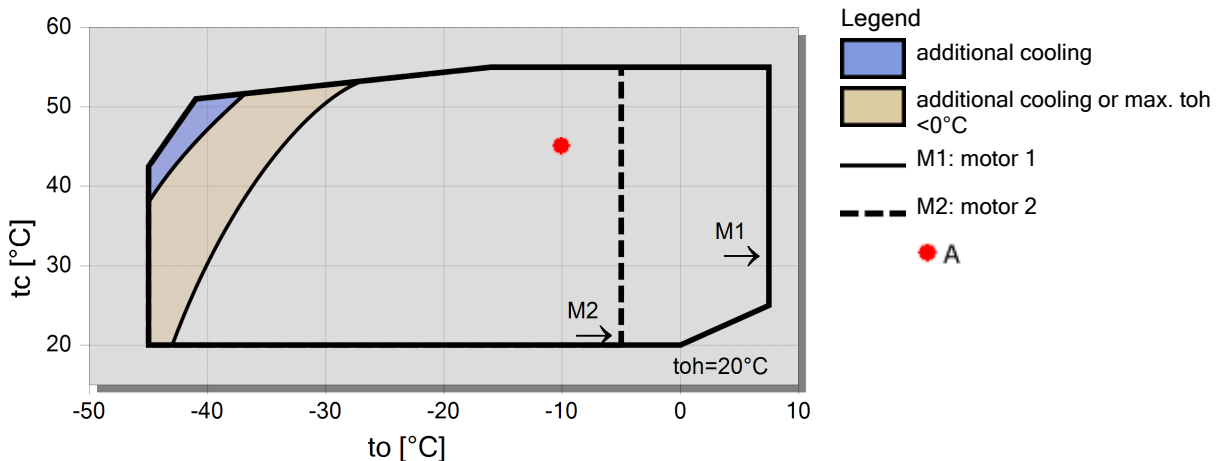
Q [W]	Cooling capacity	COP [-]	COP/EER
Q* [W]	Cooling capacity *	COP* [-]	COP/EER *
P [kW]	Power input	m [kg/h]	Mass flow
I [A]	Current	Op.	Operating mode
Qc [W]	Condenser Capacity	th [°C]	Discharge gas temp. w/o cooling

tc	to	-5°C	-10°C	-15°C	-20°C	-25°C	-30°C	-35°C	-40°C
30°C	Q [W]	24971	20648	16905	13677	10904	8537	6528	4836
	Q* [W]	24971	20648	16905	13677	10904	8537	6528	4836
	P [kW]	6,65	6,36	5,98	5,52	5,01	4,45	3,86	3,25
	I [A]	11,73	11,31	10,79	10,19	9,54	8,86	8,20	7,57
	Qc [W]	31625	27005	22881	19199	15915	12990	10391	8088
	COP [-]	3,75	3,25	2,83	2,48	2,18	1,92	1,69	1,49
	COP* [-]	3,75	3,25	2,83	2,48	2,18	1,92	1,69	1,49
	m [kg/h]	627	514	417	335	266	207	157,5	116,3
	Op.	Standard	Standard	Standard	Standard	Standard	Standard	Standard	Standard
	th [°C]	70,6	77,7	85,3	93,4	102,1	111,6	122,0	133,7
40°C	Q [W]	21143	17432	14211	11426	9030	6981	5240	3770
	Q* [W]	21143	17432	14211	11426	9030	6981	5240	3770
	P [kW]	7,64	7,17	6,63	6,03	5,37	4,67	3,94	3,21
	I [A]	13,14	12,47	11,70	10,86	9,99	9,12	8,29	7,53
	Qc [W]	28780	24606	20844	17453	14398	11651	9184	6976
	COP [-]	2,77	2,43	2,14	1,90	1,68	1,50	1,33	1,18
	COP* [-]	2,77	2,43	2,14	1,90	1,68	1,50	1,33	1,18
	m [kg/h]	599	488	394	314	247	189,7	141,7	101,6
	Op.	Standard	Standard	Standard	Standard	Standard	Standard	Standard	Standard
	th [°C]	82,0	89,4	97,3	105,7	114,8	124,6	135,4	0
50°C	Q [W]	17323	14221	11523	9186	7175	5456	3996	2768
	Q* [W]	17323	14221	11523	9186	7175	5456	3996	2768
	P [kW]	8,61	7,98	7,28	6,51	5,71	4,87	4,01	3,14
	I [A]	14,57	13,64	12,61	11,53	10,43	9,36	8,35	7,46
	Qc [W]	25933	22200	18799	15700	12882	10322	8001	5905
	COP [-]	2,01	1,78	1,58	1,41	1,26	1,12	1,00	0,88
	COP* [-]	2,01	1,78	1,58	1,41	1,26	1,12	1,00	0,88
	m [kg/h]	568	460	369	292	226	170,7	124,4	85,8
	Op.	Standard	Standard	Standard	Standard	Standard	Standard	Standard	Standard
	th [°C]	94,4	102,2	110,5	119,6	129,4	0	0	0

-- No calculation possible (see message in single point selection)

*According to EN12900 (20°C suction gas temp., 0K liquid subcooling)

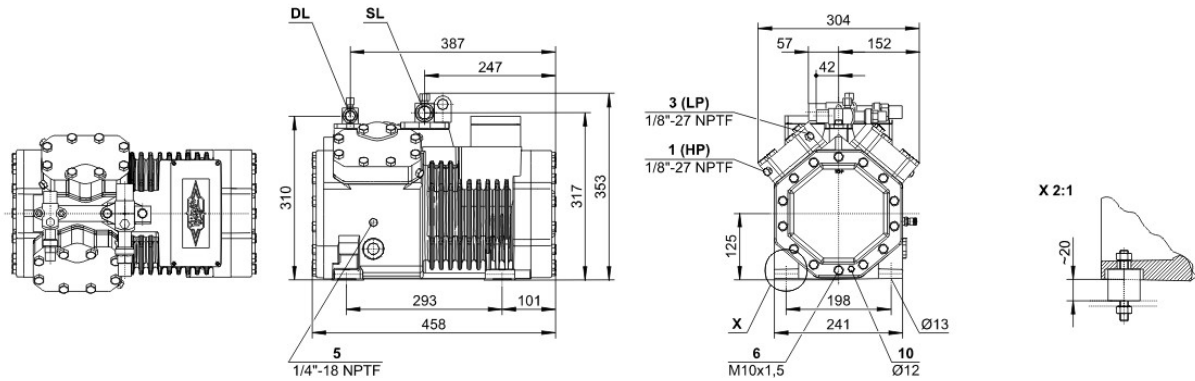
Application Limits 100% Octagon





Technical Data: (4CC-6.2Y)

Dimensions and Connections



Technical Data

Technical Data

Displacement (1450 RPM 50Hz)	32,48 m ³ /h
Displacement (1750 RPM 60Hz)	39,20 m ³ /h
No. of cylinder x bore x stroke	4 x 55 mm x 39,3 mm
Weight	90,5 kg
Max. pressure (LP/HP)	19 / 28 bar
Connection suction line	28 mm - 1 1/8"
Connection discharge line	22 mm - 7/8"
Oil type R134a/R407C/R404A/R507A/R407A/R407F	tc<55°C: BSE32 / tc>55°C: BSE55 (Option)
Oil type R22 (R12/R502)	B5.2 (Standard)
Oil type R290/R1270	SHC226E (Standard)

Motor data

Motor voltage (more on request)	380-420V Y-3-50Hz
Max operating current	15.9 A
Starting current (Rotor locked)	82.4 A
Max. Power input	9,0 kW

Extent of delivery (Standard)

Motor protection	SE-B1
Enclosure class	IP65
Vibration dampers	Standard
Oil charge	2,00 dm ³

Available Options

Discharge gas temperature sensor	Option
Start unloading	Option
Capacity control	100-50% (Option)
Additional fan	Option
Crankcase heater	0..120 W PTC (Option)
Oil level monitoring	OLC-K1 (Option, not for R290/R1270)

Sound measurement

Sound power level (-10°C / 45°C)	72,5 dB(A) @ 50Hz
Sound power level (-35°C / 40°C)	76,0 dB(A) @ 50Hz
Sound pressure level @ 1m (-10°C / 45°C)	64,5 dB(A) @ 50Hz
Sound pressure level @ 1m (-35°C / 40°C)	68,0 dB(A) @ 50Hz